



K&L MC110 TIRE CHANGER

The MC110 manual tire changer will handle motorcycle wheels from 14" to 23", and ATV rims from 8" to 14". For easier removal and installation of ATV tires, use 35-9020 ATV Adapter Kit. (sold as an option) The new bead head design makes quick work of both tube and tubeless tires, while the included plastic protectors guard against expensive scratches to customers wheels. The changer is easily mounted to the floor with four bolts, and is shipped with tire iron, MC115 tire bead breaker and lube bottle. Weight: 103 lbs.

35-9001 MC110 Tire Changer

OPTIONAL ACCESSORIES

35-9020 ATV Adapter Kit: Kit includes center post adapter and bead tool.

00-7842 MC110 Video-How to operate/use MC110 Tire Changer

NYLON RIM PROTECTORS

Designed to protect alloy rims from getting scratched by tire levers or tools while changing tires.

Note: must be trimmed for ATV use.

35-9137 Nylon Rim Savers (pair)



TIRE LEVERS

Available in the following lengths:

35-5093 8-1/2" Enduro Pro Tire Iron Set with storage pouch

35-1006 15" Curved cast Alloy Steel (silver) Sold each.

35-1005 16" Forged Alloy Steel (silver) Sold each.



SPOON STYLE TIRE IRONS

Sold each. Three styles available

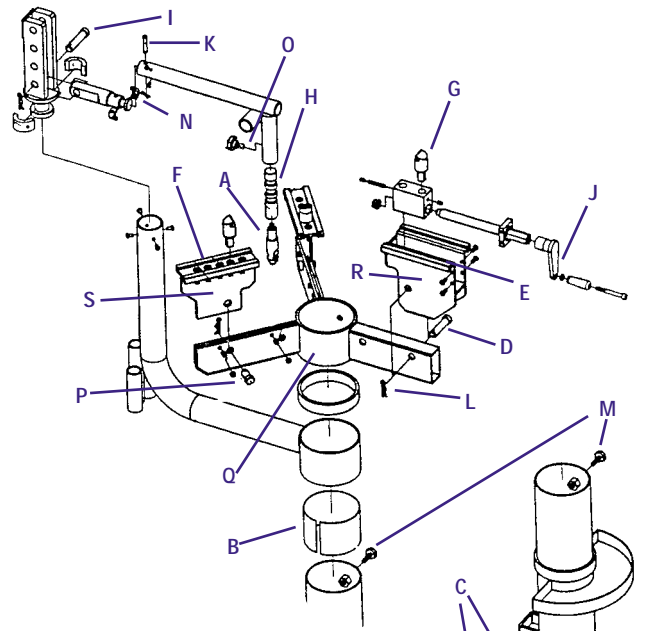
35-0770 Ultimate Tire Iron-With a plastic handle.

Overall length is 10" long. *Made in U.S.A.*

35-0771 Ultimate Mighty Tire Iron-With a machined aluminum

handle. Overall length is 16" long. *Made in U.S.A.*

35-1052 Spoon Type Tire Iron-10" long with curved end that fits your hand Silver zinc finish. *Motion pro*



K&L MC110 REPLACEMENT PARTS

Sold each

K&L P/N	Description
35-9025 A	Replacement Nylon Tip
35-9048 B	Nylon Swingarm Bushing
37-9079 C	Base Platform Anchor Bolts
37-9081 D	Clamp Guide Pin for table clamp A.
37-9084 E	Nylon Rim Protector A. Mounts onto table clamp A Qt 2 required
37-9085 F	Nylon Rim Protector B. Mounts onto table clamp B Qt 4 required
37-9086 G	Wheel Chuck Jaw Tall Sold each. Qt 3 required
37-9148 H	Tool Holder for nylon tip
37-9155 I	Linkage Pin, 20mm x 80mm
37-9157 J	Clamp Handle Assembly
37-9160 K	Tool Arm Pin, 10mm x 45mm
37-9167 L	Hitch Pin for 37-9081
37-9170 M	Hex Bolt for Stand M12 x 30mm
37-9179 N	Tool Arm Hitch Pin for 37-9165
37-9180 O	Removal Tool Holder Bolt
37-9183 P	Clamp Guide Pin for table clamp B
37-9186 Q	Table Top Platform
37-9187 R	Table Clamp A (adjustable clamp. Qt 1 required)
37-9192 S	Table Clamp B (stationary clamp. Qt 2 required)



K&L MC115 TIRE BEAD BREAKER

Breaks the most stubborn motorcycle and ATV tire beads. K&L designed for portability and ease of use. Features include adjustable bead to fit any size rim/tire combination and heavy duty powder coated blue construction. Attaches to K&L MC110 Tire Changer.

Shipping weight 30 lbs

35-9004 MC115 Bead Breaker