

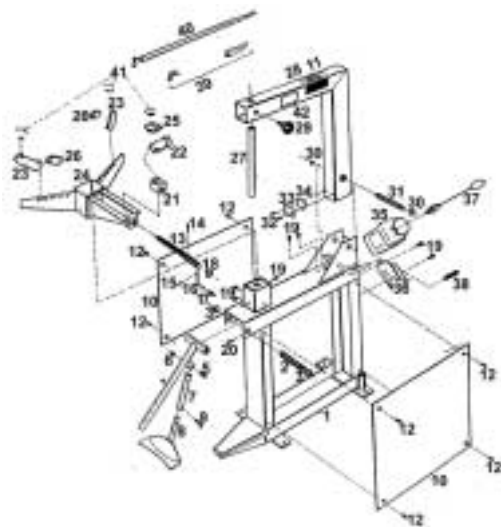


37-9898 ATV bead breaker kit

## COATS 220 TIRE CHANGER

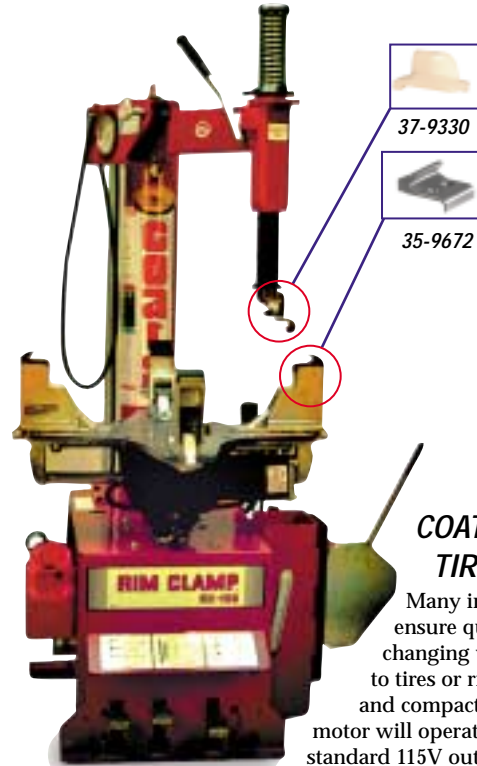
Manual tire changer works on 14" to 23" diameter wheels. Can also be used on 8" to 14" ATV wheels.

37-9840 Coats 220 Tire Changer



## COATS 220 REPLACEMENT PARTS

K&L P/N	Description
37-9776 29	Locking Knob
37-9898	ATV bead breaker kit for Coats 220 Tire Changer.
37-9842 24	Table top
37-9843 21	Slotted nut for clamp
37-9844 13	Rim clamp adjustment screw
37-9845 14	Roll pin for clamp screw
37-9846 18	Bushing for screw
37-9849 16	Handle
37-9852 15	Roll pin for screw handle
37-9853 22	Motorcycle rim clamp-sold each (Wide)
37-9854 23	Motorcycle rim clamp-sold each (Narrow)
37-9864 41	Motorcycle rim clamp protector set-(6)
37-9873 25	ATV rim clamp (Wide)
37-9874 26	ATV rim clamp (Narrow)
37-9839 39	Tire iron protectors-sold in pairs
37-9850 35	Lube Bucket only. (without bracket or hardware)
37-9851 36	Bracket for Lube Bucket only (no hardware)
37-9891 40	Combo Tool



## COATS RC-100 TIRE CHANGER

Many innovative features ensure quick, safe tire changing without damage to tires or rims. Easy to use and compact, the 1 HP

motor will operate on any standard 115V outlet. Includes all

necessary adapters to handle a wide range of tires from auto and truck tires (9 to 21 inch dia. rim), to motorcycle tires (16 to 21 inch dia. rim). Comes with air gauge, inflation hose, motorcycle wheel adapters.

Requires regulated 80 PSI air supply. *Made in U.S.A.*

35-9028 Coats RC-100 Tire Changer

### OPTIONAL PARTS

35-9037 ATV Adapters-Set of 4

37-9330 Mounting Head Plastic Insert Protector. Each

35-9672 Plastic Jaw Protector Set-Fits steel jaws on RC100.



35-9941



35-9942

35-9944

## TECH TIRE REPAIR STAND & ACCESSORIES

35-9942 Tire spreader only

35-9944 Tire Spreader Stand only: for mounting to any rim clamp tire changer

35-8473 Tire Marking Crayon, pk/12

35-9941 Tire Buffing Wheel with arbor